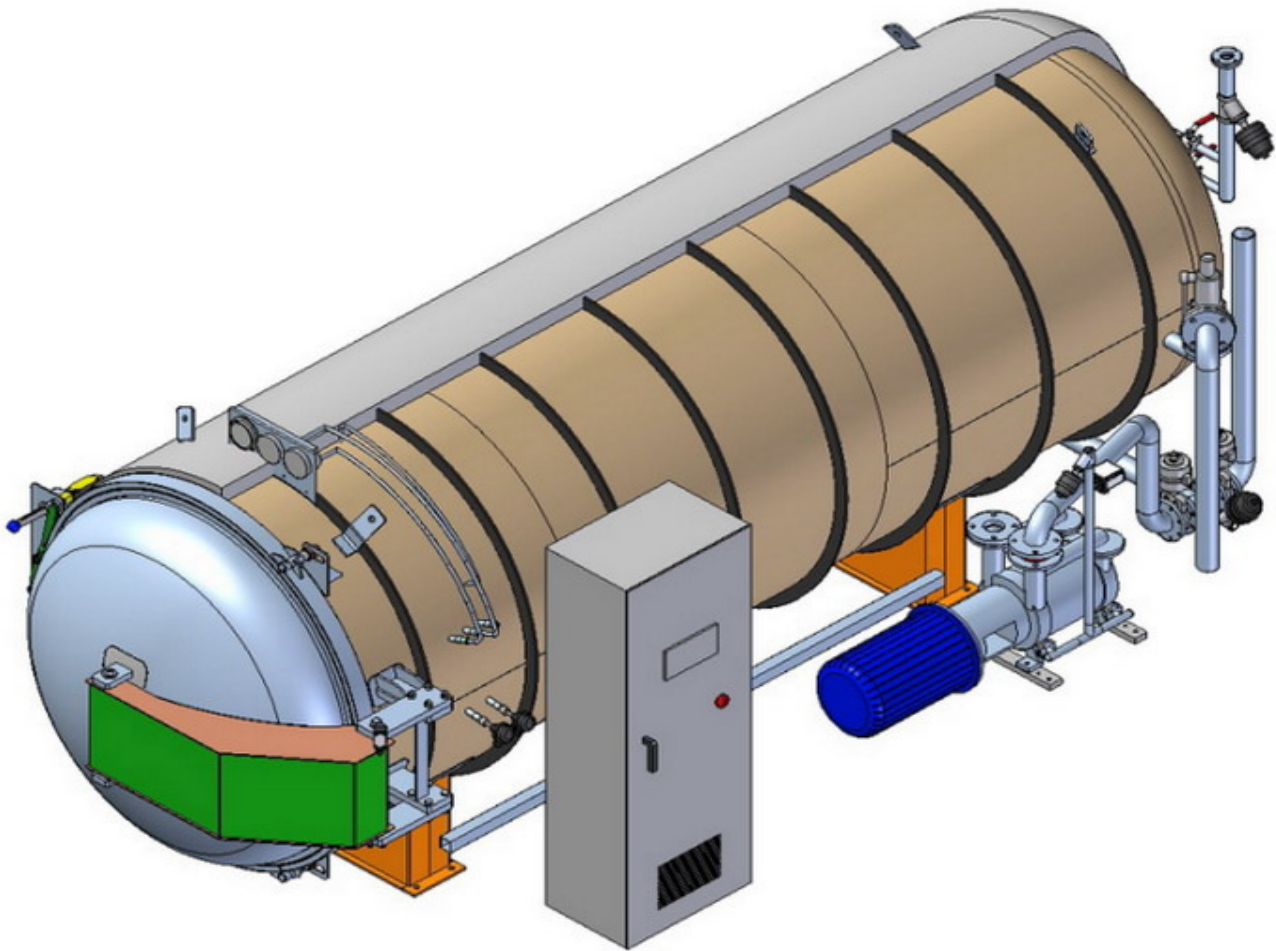




# Laip Srl

## VACUUM STEAMER

AIR CONDITIONING



Autoclave mod. VS-HT for yarn steaming and conditioning

Laip Srl Via San Paolo, 405  
59100 Prato Italy

Tel. +39-0574-28218 Fax. +39-0574-400923 - [www.laip.it](http://www.laip.it) - [laip@laip.it](mailto:laip@laip.it)

## Description

The machine is made in stainless steel and produces indirect steam to avoid yellowing, fading effect on yarn. Indirect steam gives the possibility to work with waxed cotton yarn. Water sealed vacuum pump. Machine works at low temperature with vacuum system. Heated ceiling to avoid water drops on material. Safety valve tested according CE PED regulation. Hermetical locking system with double switch control. Pneumatic locking of the lid. Full automation control panel with microprocessor. Pressure control by prosestat with contact made by Danfoss. Vacuum control by analogue vacuum meter with contact made by Pakkens. Heating system with electric resistance installed beneath the trolleys.



**Safety locking system**



**Vacuum pump**

